



## Steering Boss System for Autosport

**SOURIAU offer a reliable and robust solution dedicated to quick release steering column application.**

**2 shell sizes available** ■ Shell sizes 10 and 12.  
Provides flexibility according to your application.

**A wide range of layouts available** ■ Always a solution according your needs with most popular 13 and 22 contacts #22D.

**A flexible offer** ■ Connectors can be bought separately or as part of a complete quick release system.





## Description

- Rugged aluminium body to ensure long service life in the harshest environment.
- 100% scoop proof.
- Available in 2 shell sizes: 10 and 12, please consult us for other sizes.
- Standard insulators shell sizes 10 and 12 available.

## Technical features

### Mechanical

- **Shell:** Aluminium
- **Shell plating:** Conductive black zinc
- **Insulator:** Thermoplastic
- **Grommet & seal:** Liquid silicone rubber
- **Contact:** Copper alloy
- **Contact plating:** Gold
- **Endurance:** 500 mating cycles
- **Shock:** 300g for 3ms and EIA-364-27
- **Vibration:** 147m/s<sup>2</sup>, 10 to 2000Hz

### Electrical

- **Contact resistance:**  
Size 22D: 14.6mΩ  
See 8STA catalog for other contact size.
- **Insulation resistance:** ≥ 5000MΩ @ 500Vdc
- **Contact rating:**  
Size 22D: 5 Amp  
See 8STA catalog for other contact size.
- **Shell continuity:** ≤ 10mΩ

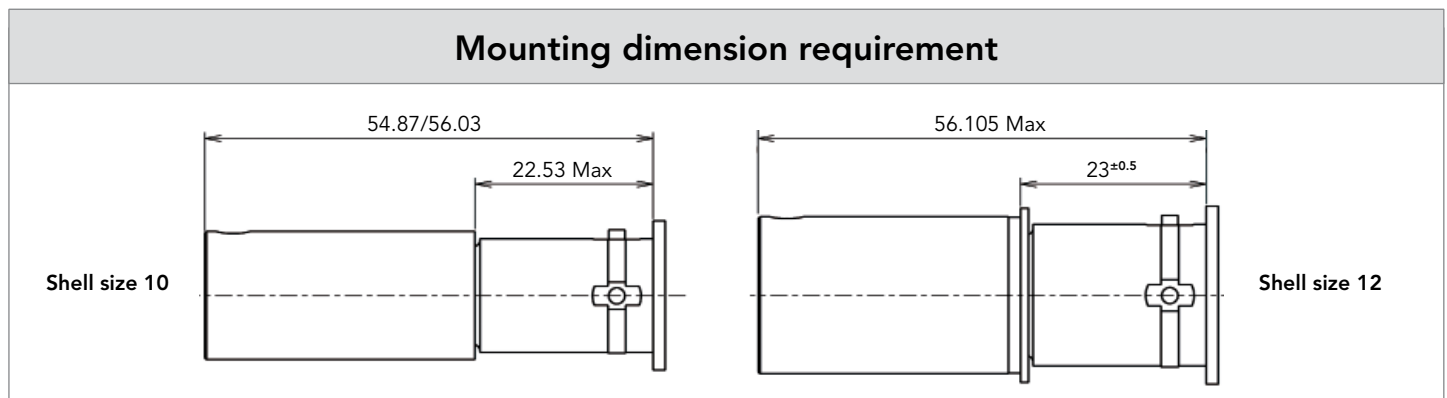
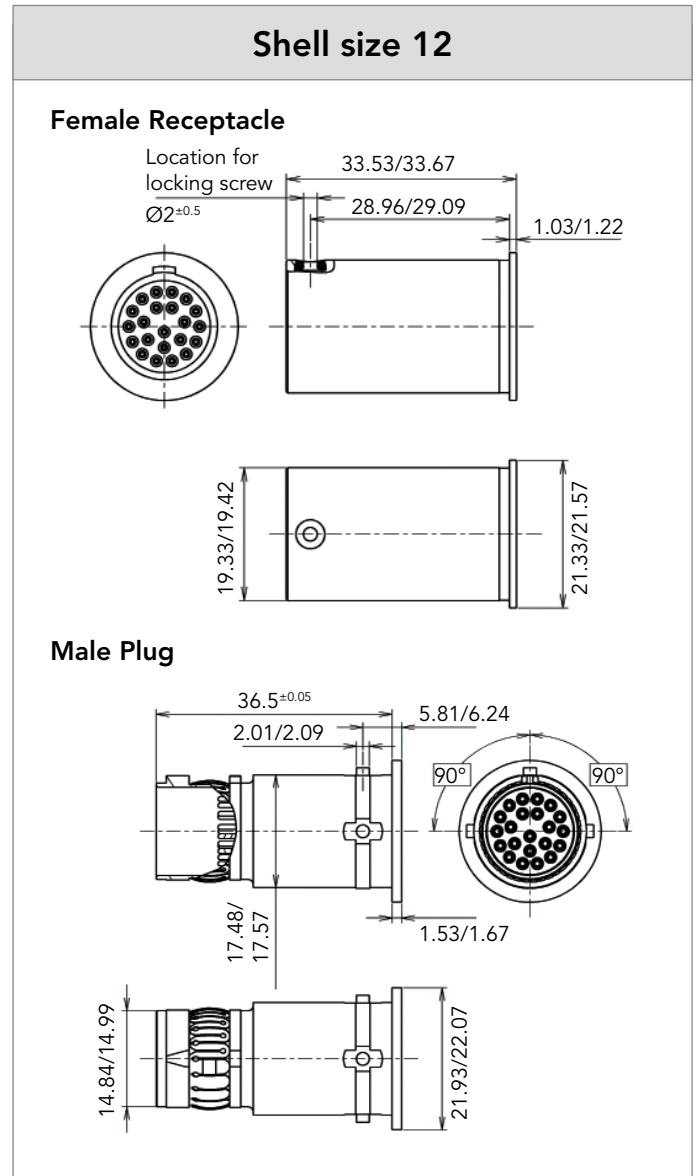
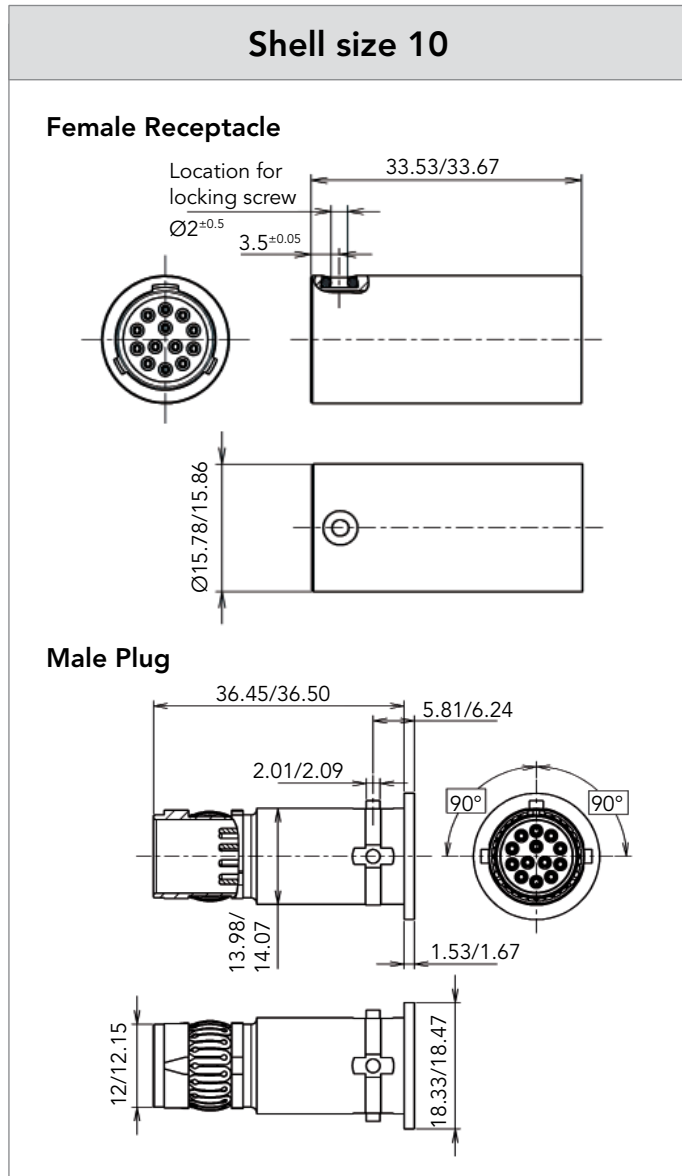
### Environmental

- **Operating temperature:**  
-55°C to +175°C
- **Sealing mated connectors:**  
IP67 (1 metre for 30 min minimum)
- **Salt spray:** 48 hours

## Ordering information

<b>Basic series</b>	<b>8STA</b>	<b>6</b>	<b>12</b>	<b>35</b>	<b>P</b>	<b>N</b>	<b>518</b>
<b>Shell type</b> 0: Receptacle side 6: Plug side							
<b>Shell size:</b> 08 (consult us) - 10 - 12							
<b>Contact layout:</b> See 8STA catalog							
<b>Type of contact</b> P: Pin S: Socket							
<b>Orientation:</b> N							
<b>Specification (mandatory)</b> 518: Steering column							

## Dimensions



Note: All dimensions are in millimeters (mm)

**A flexible offer to customers: Lifeline**



8STA Quick Release Steering boss connectors have been developed in partnership with Lifeline Fire & Safety Systems Ltd. Connectors can be purchased separately from Souriau or as part of a complete quick release steering boss system from Lifeline.



For more information on the Lifeline system, you can visit their web site [www.lifeline-fire.co.uk](http://www.lifeline-fire.co.uk) or contact them directly by sending an email to [sales@lifeline-fire.co.uk](mailto:sales@lifeline-fire.co.uk).

For further information contact us at [contactmilaero@souriau.com](mailto:contactmilaero@souriau.com)  
or visit our web site [www.motorsport-connectors.com](http://www.motorsport-connectors.com)