



## Coax Contacts for High Vibration Applications

Reliable coax contact for high frequency data transmission. Excellent performance in harsh environment.

**Contact versatility** ■ Coax contact available for AWG 16, 12 and 8.

**Very high performance** ■ Up to 18 GHz DC under vibration with the proper #8 coax contact.

**Easy maintenance** ■ Removable contacts.

**Smart design** ■ Available in shell size 02!  
Consult us for any other size up to size 24.

## Description

- High vibration resistance
- Coax contact available for AWG 16, 12 and 8
- Removable contacts
- Available in shell size 02



## Technical features

### Mechanical

- **Shell:** Aluminium alloy
- **Shell plating:**  
Conductive black zinc  
Nickel
- **Grommet & seal:** Liquid silicone rubber
- **Contact:** Copper alloy
- **Contact plating:** Gold
- **Endurance:** 500 mating cycles
- **Shock:** 300g for 3ms and EIA-364-27
- **Vibration:** 147m/s<sup>2</sup>, 10 to 2000Hz

- **Contact retention:**  
Size 16: 100 N  
Size 12: 100 N  
Size 8: 110 N

### Electrical

- **Grounding:**  
Contact grounded with shell
- **Contact definition:**  
Coax compliant with M39029/76-424
- **#16 coax contact accommodated cable:**  
M17/119-RG174  
M17/113-RG316  
M17/094-RG179  
For other contact size or cable please consult us.

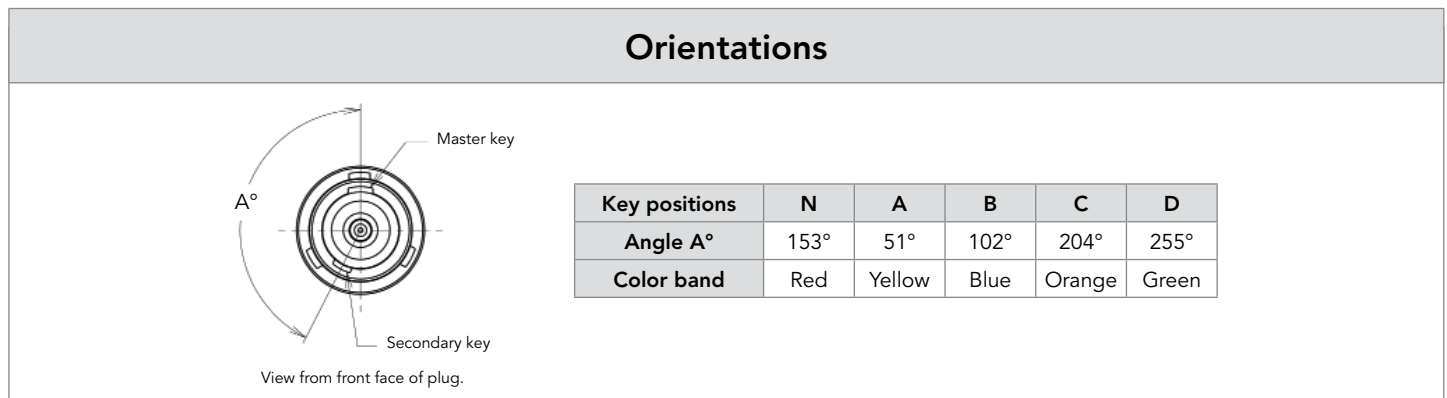
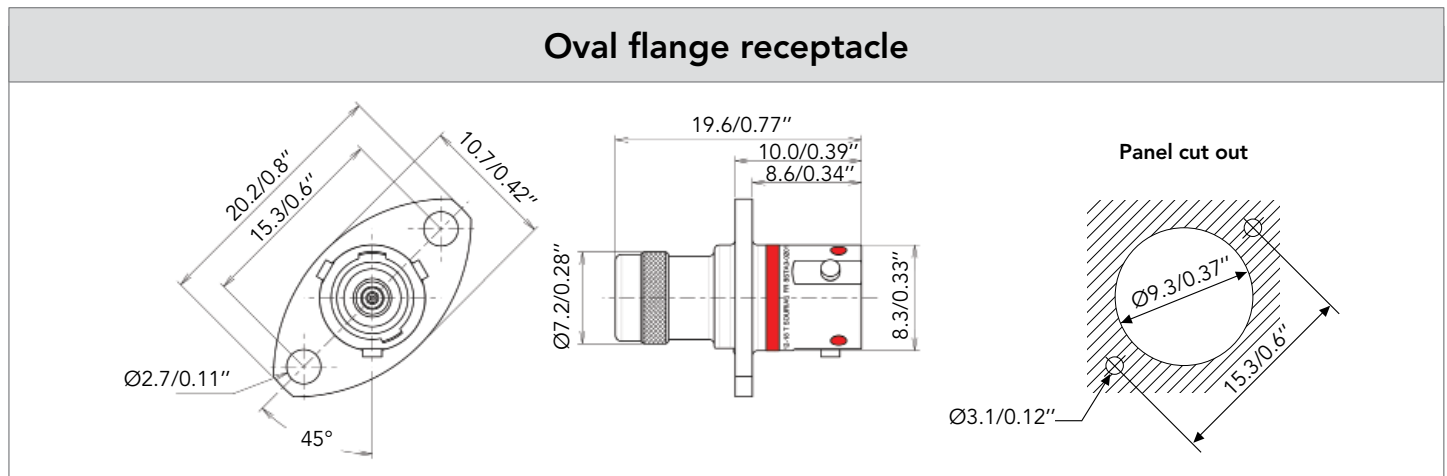
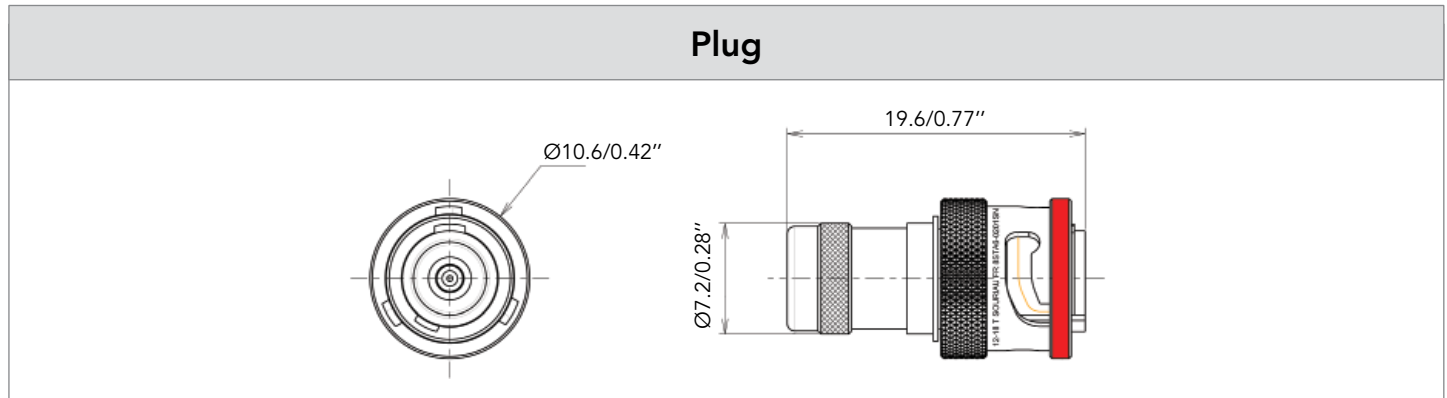
### Environmental

- **Operating temperature:**  
-55°C to +175°C
- **Sealing mated connectors:**  
IP67 (1 metre for 30 min minimum)
- **Salt spray:**  
Aluminum Nickel: 48 hours  
Aluminum conductive Black Zinc: 48 hours

## Ordering information

<b>Basic series</b>	8STA	0	02	01	P	N	801
<b>Shell type</b>							
0: Oval flange receptacle							
6: Plug							
<b>Material &amp; Plating</b>							
None: Aluminum Black zinc							
F: Aluminum Nickel							
<b>Shell size:</b> 02, consult us for other sizes							
<b>Contact layout:</b> 01, consult us for other layouts							
<b>Type of contact</b>							
P: Pin, for oval flange receptacle only							
S: Socket, for plug only							
<b>Orientation</b>							
N: Red / A: Yellow / B: Blue / C: Orange / D: Green							
<b>Mandatory specification</b>							
801: Delivered with grounded coax contact							

## Dimensions



Note: All dimensions are in millimeters and inches (mm/inch). For other shell sizes, please consult us.

For further information contact us at [contactmilaero@souriau.com](mailto:contactmilaero@souriau.com)  
or visit our web site [www.motorsport-connectors.com](http://www.motorsport-connectors.com)